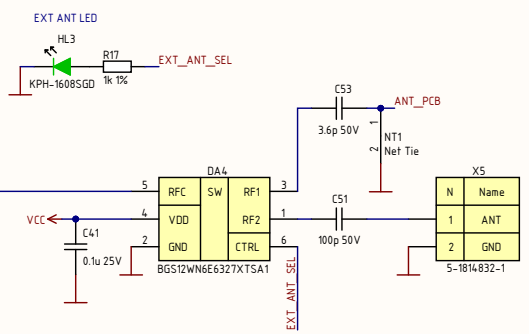
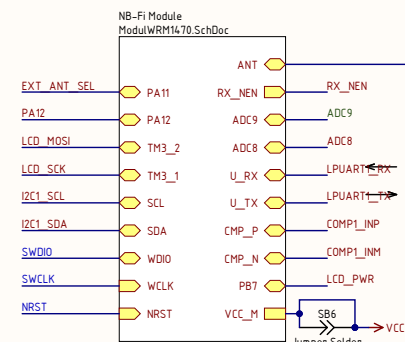
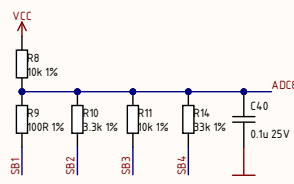
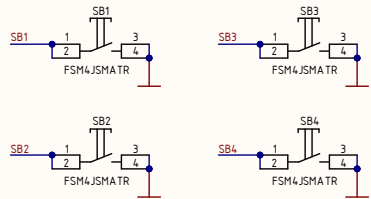


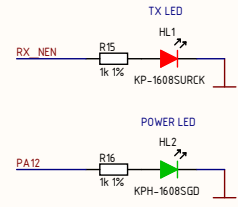
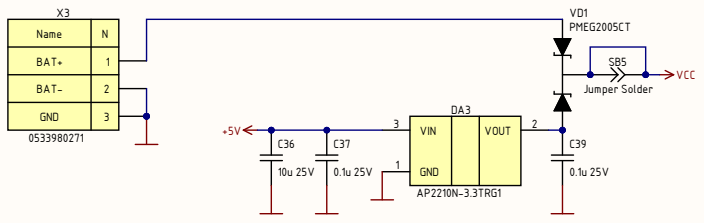
Name	N
1	VCC
2	X
3	X
4	SWDIO
5	X
6	SWCLK
7	X
8	NRST
9	X
10	X
11	X
12	X
13	X
14	X
15	X
16	X
17	X
18	X
19	X
20	X

BH-20



N	Name
1	ANT
2	GND

5-1814832-1



LCD FFC connector

Name	N
1	COMP1_INM
2	COMP1_INP
3	I2C1_SDA
4	LCD_SCK
5	LCD_MOSI
6	LCD_PWR
7	GND
8	GND
9	GND
10	GND
11	GND
12	GND
13	GND
14	GND
15	GND
16	GND
17	GND
18	GND
19	GND
20	GND
21	GND

0527462071

Cable (FFC)	DPY LCD GR
1	nCS
2	nRST
3	A0
4	SCL
5	SDI
6	VDD
7	GND
8	Vout
9	C3+
10	C1-
11	C1+
12	C2-
13	C2+
14	V4
15	V3
16	V2
17	V1
18	V0
19	C86
20	P/S

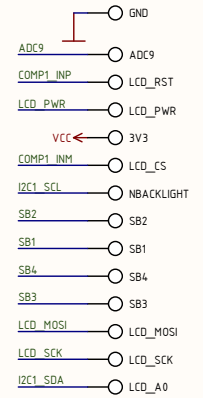
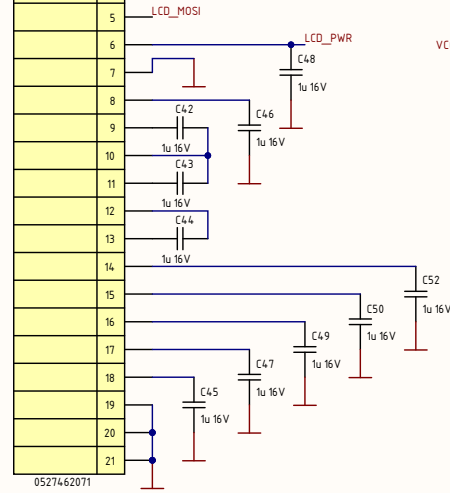
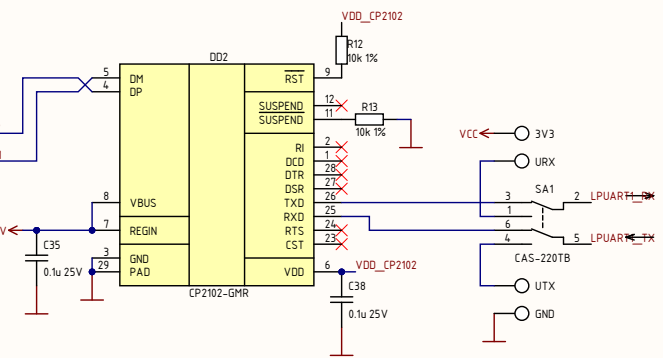
JHD12864

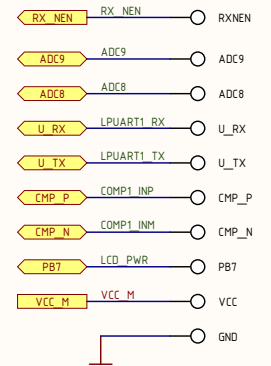
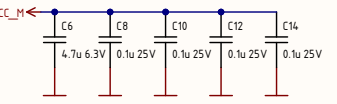
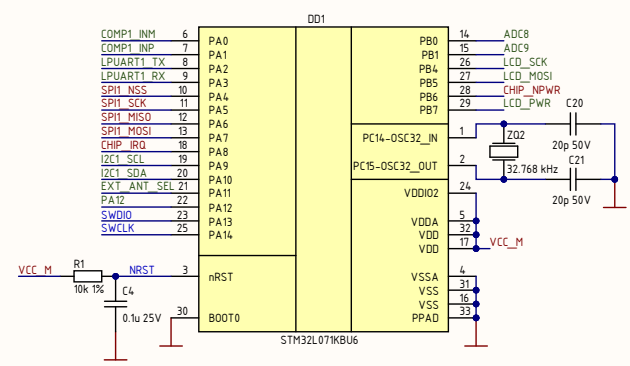
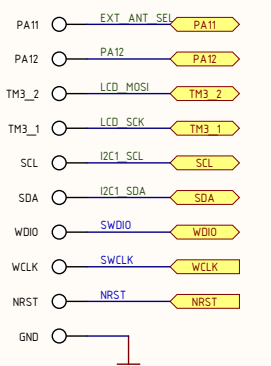
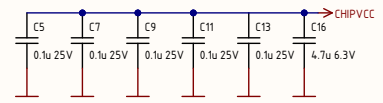
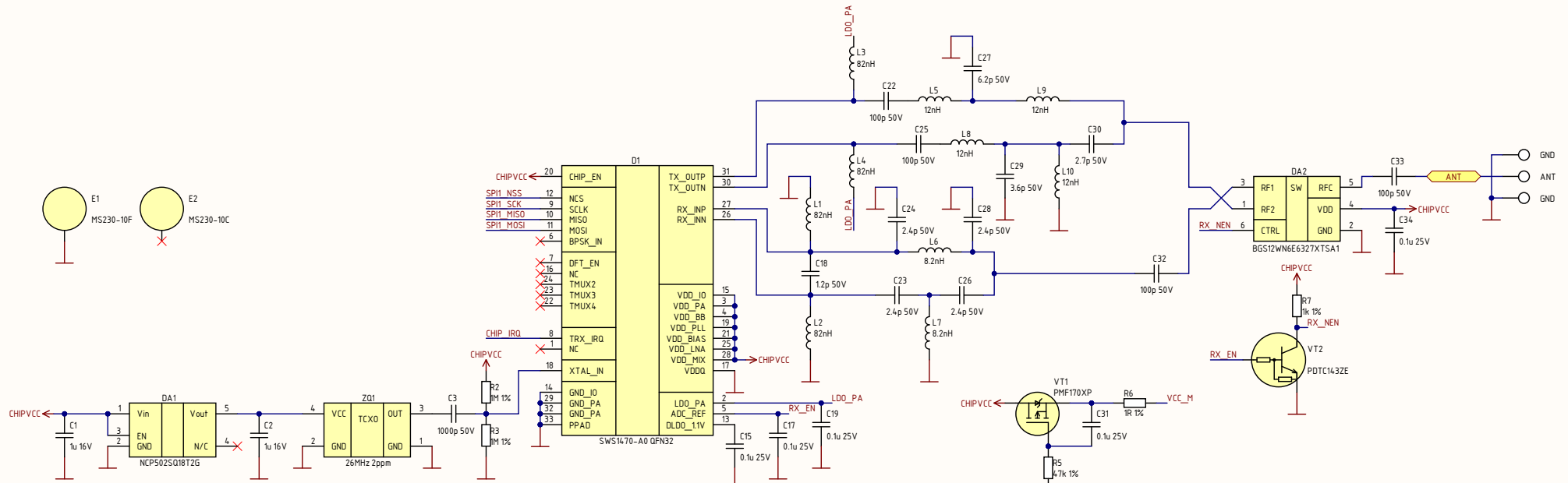
Name	N
GND	A1
TX1+	A2
TX1-	A3
Vbus	A4
CC1	A5
D+	A6
D-	A7
SBU1	A8
Vbus	A9
RX2-	A10
RX2+	A11
GND	A12
SHIELD	S2

1054500101

Name	N
GND	B1
TX2+	B2
TX2-	B3
Vbus	B4
CC2	B5
D+	B6
D-	B7
SBU2	B8
Vbus	B9
RX1-	B10
RX1+	B11
GND	B12
SHIELD	S2

1054500101





Title		
Modul WRM1470		
Size	Number	Revision
A3		
Date:	6.30.2020	Sheet of
File:	C:\Users\... \Modul WRM1470.SchDoc	Drawn By: